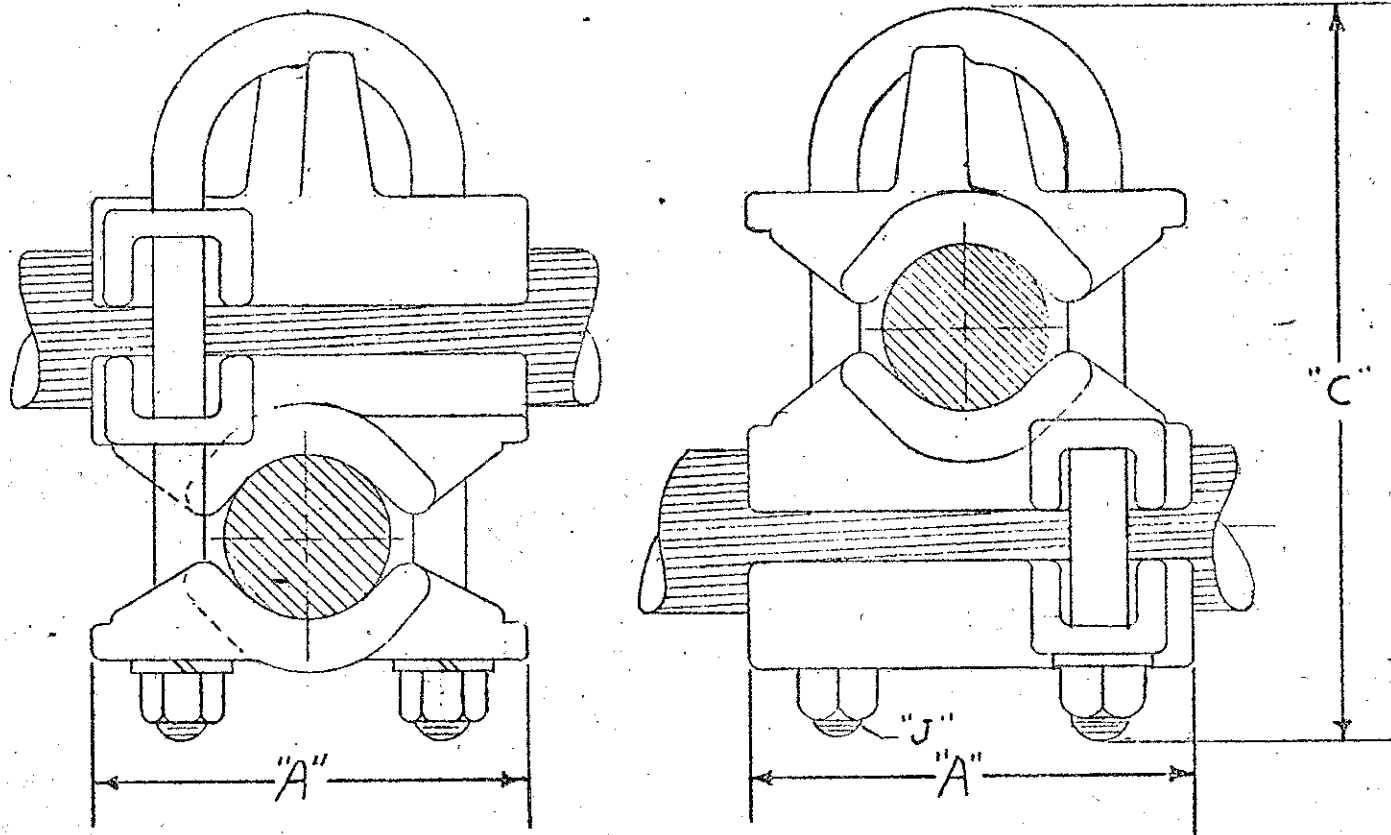


NOTE:

1. CONNECTOR - ELECTRICAL BRONZE
HARDWARE - U-BOLTS, NUTS & LOCKWASHERS - EVERDUR
2. TO OBTAIN ALUM. CONN. ADD PREFIX "A" TO CAT. NO.
EXP. AGC-113-AA. G/S HARDWARE WILL BE FURNISHED.



REVISIONS	DESCRIPTION	DATE	NO.	BY

REVISIONS	DESCRIPTION	DATE	NO.	BY
1	ADDED NOTE #2	9-17-75	1	JJS
2	GC-113-DC "C" WAS 4"	8-17-76	2	RA

CATALOG NUMBER	ROD	CONDUCTOR RANGE				DIMENSIONS IN INCHES		
		TOP		BOTTOM		A	C	J
		MIN.	MAX.					
GC-113-AA	3/8"	#4	2/0	#4	2/0	2 1/8"	2 3/4	3/8"
GC-113-BA	1/2"	2/0	250 MCM	#4	2/0	2 1/8	3	3/8
GC-113-BB	1/2"	2/0	250 MCM	2/0	250 MCM	2 3/8	3	3/8
GC-113-CA	3/4"	250	500 MCM	#4	2/0	2 1/8	3 3/8	3/8
GC-113-CB	3/4"	250	500 MCM	2/0	250 MCM	2 3/8	3 3/8	3/8
GC-113-CC	3/4"	250	500 MCM	250	500 MCM	2 1/2	4 1/4	1/2
GC-113-DA	1"	500	800 MCM	#4	2/0	2 3/4	3 3/8	1/2
GC-113-DB	1"	500	800 MCM	2/0	250 MCM	2 3/4	3 3/4	1/2
GC-113-DC	1"	500	800 MCM	250	500 MCM	2 3/4	5 1/4	1/2
GC-113-DD	1"	500	800 MCM	500	800 MCM	2 3/4	4 1/4	1/2
GC-113-EA	1 1/4"	750	1000 MCM	#4	2/0	2 7/8	4 3/4	1/2
GC-113-EB	1 1/4"	750	1000 MCM	2/0	250 MCM	2 7/8	4	1/2
GC-113-EC	1 1/4"	750	1000 MCM	250	500 MCM	2 7/8	4 3/4	1/2
GC-113-EE	1 1/4"	750	1000 MCM	750	1000 MCM	2 7/8	5 1/4	1/2

DATE 6-3-52
 DRAWN BY [Signature]
 CKD BY S
 APPROVED [Signature]
 SCALE

GROUND CLAMP CROSS
 CONNECTOR - TYPE GC-113

R/12 ANDERSON BRASS WORKS, INC.
 BIRMINGHAM, ALABAMA
 CAT. NO. DWG. NO. C-2754